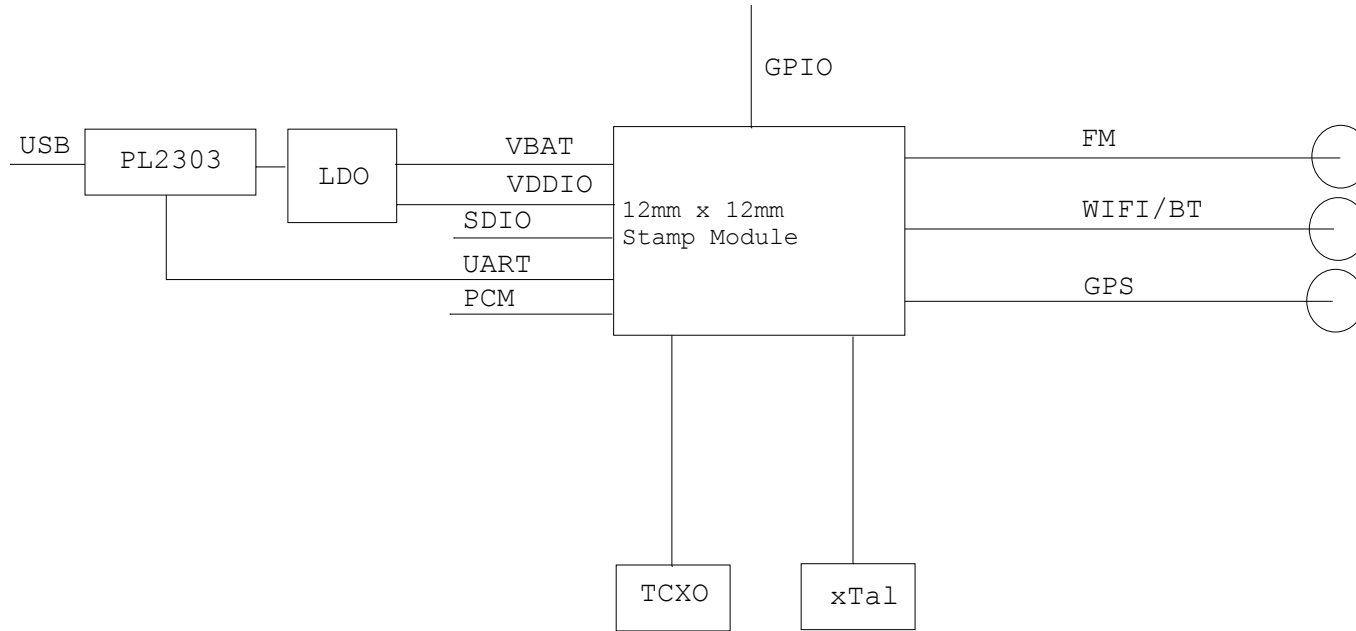
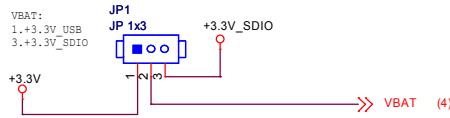


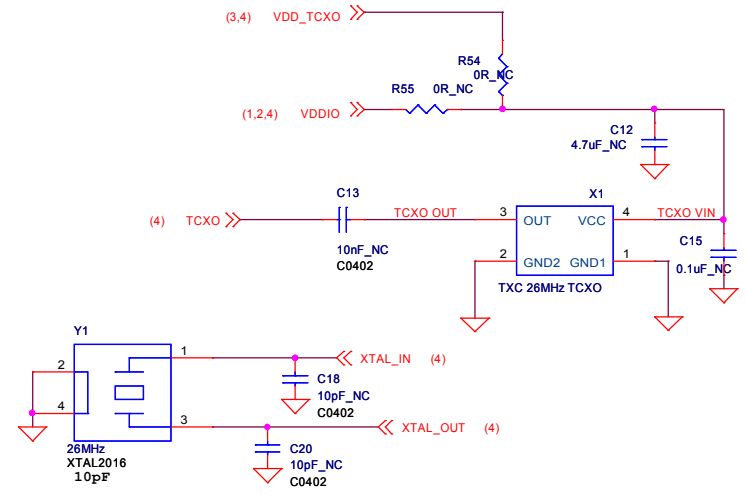
Ver. i2
Modified from AW-CM358SM
1.Add PL2303
2.Add GPIO pin out



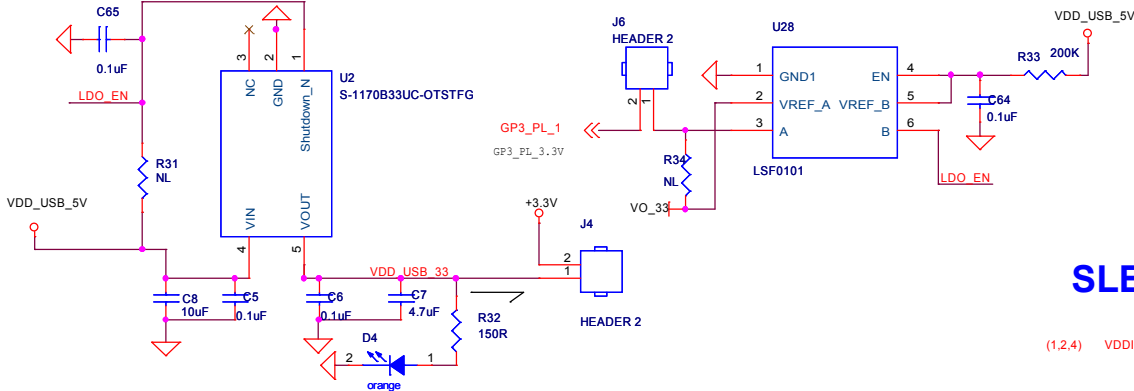
VBAT



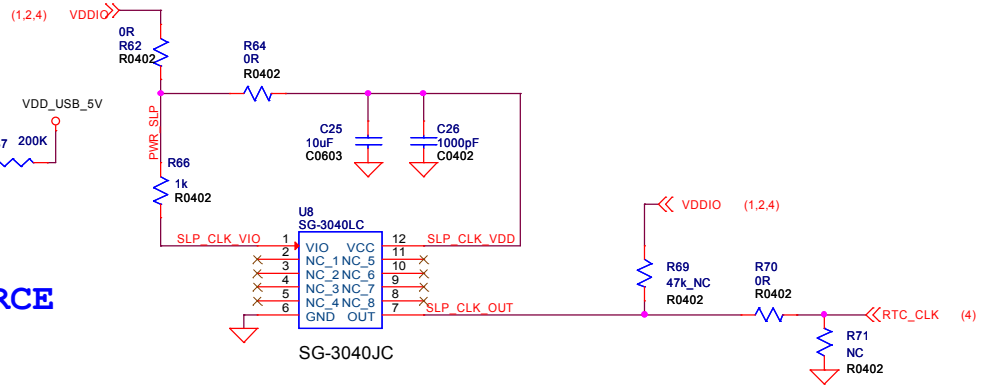
26MHz CLOCK



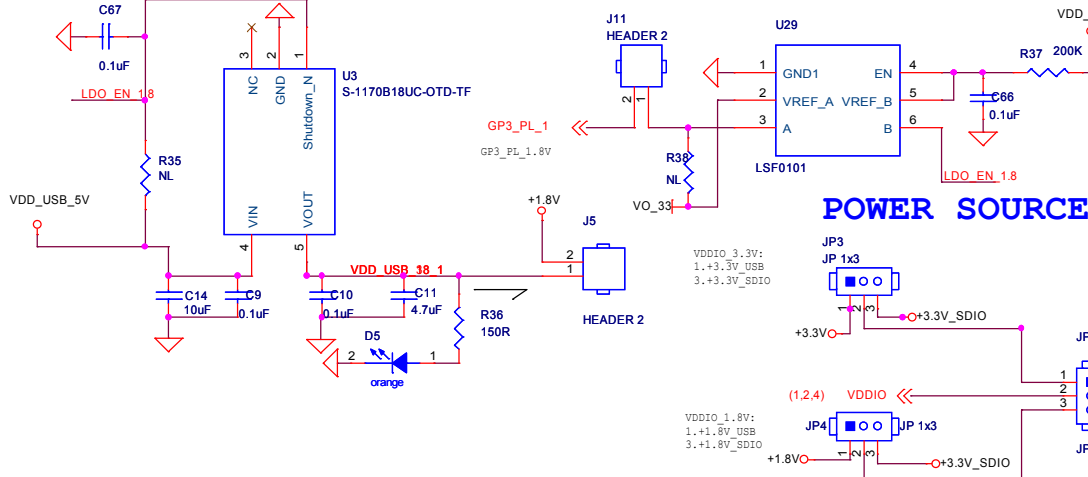
3V3



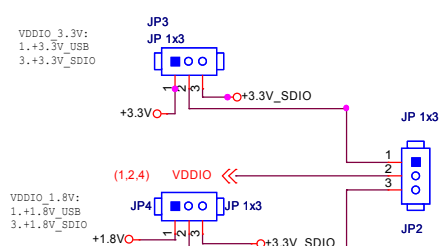
SLEEP CLOCK



1V8



POWER SOURCE



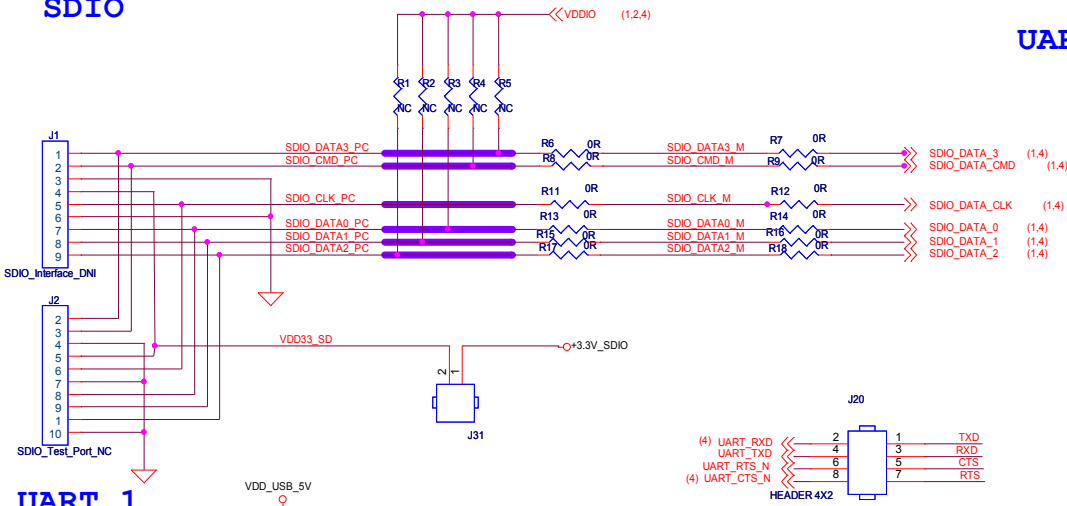
AzureWave
AzureWave Technologies, Inc.

Title: **Power and Clock**

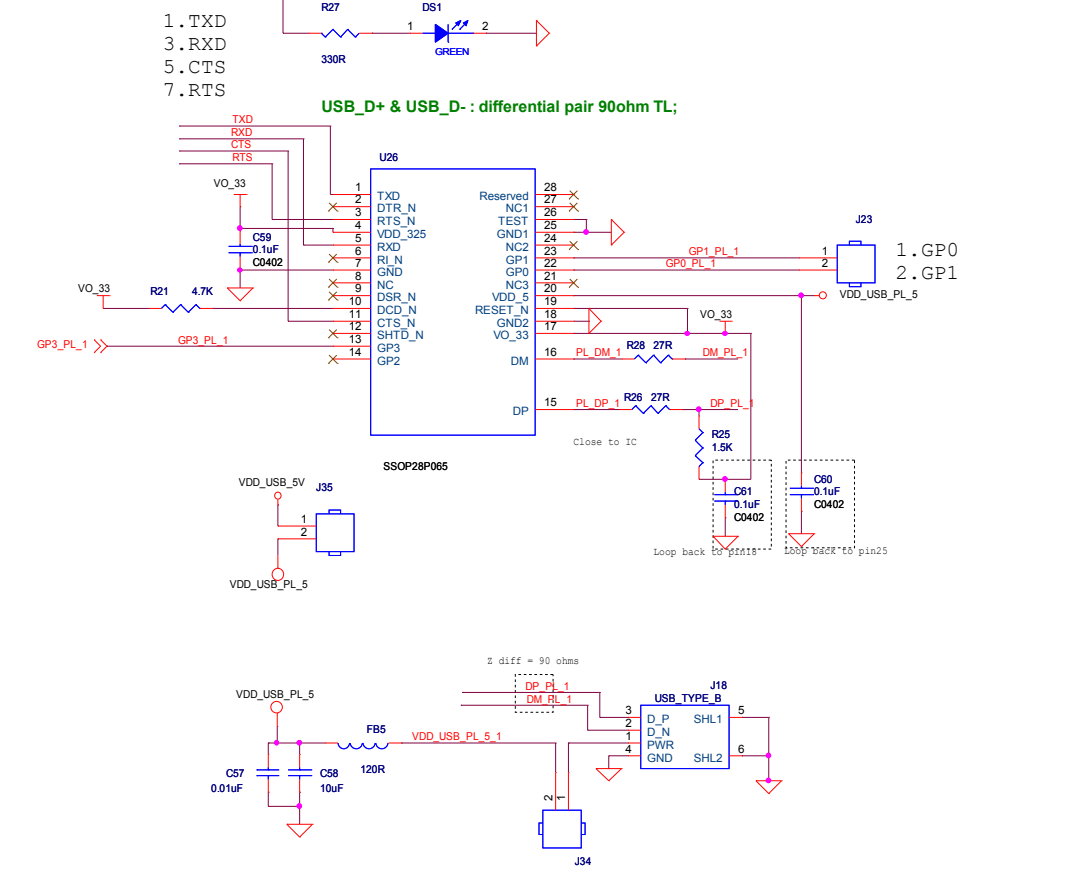
Size: B Document Number: AW-CM358SM EVB Rev: I1

Date: Friday, October 18, 2019 Sheet: 1 of 5

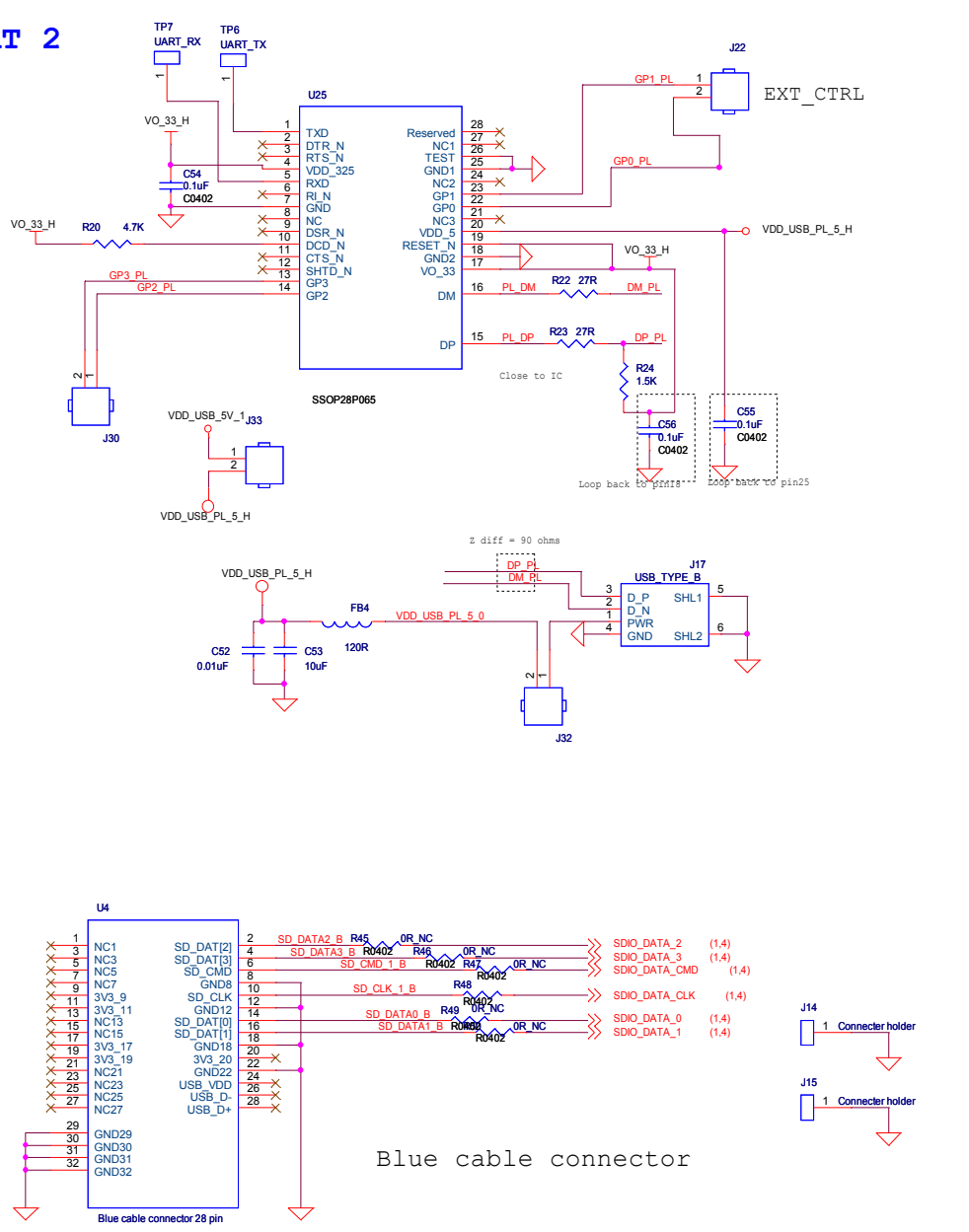
SDIO



UART 1



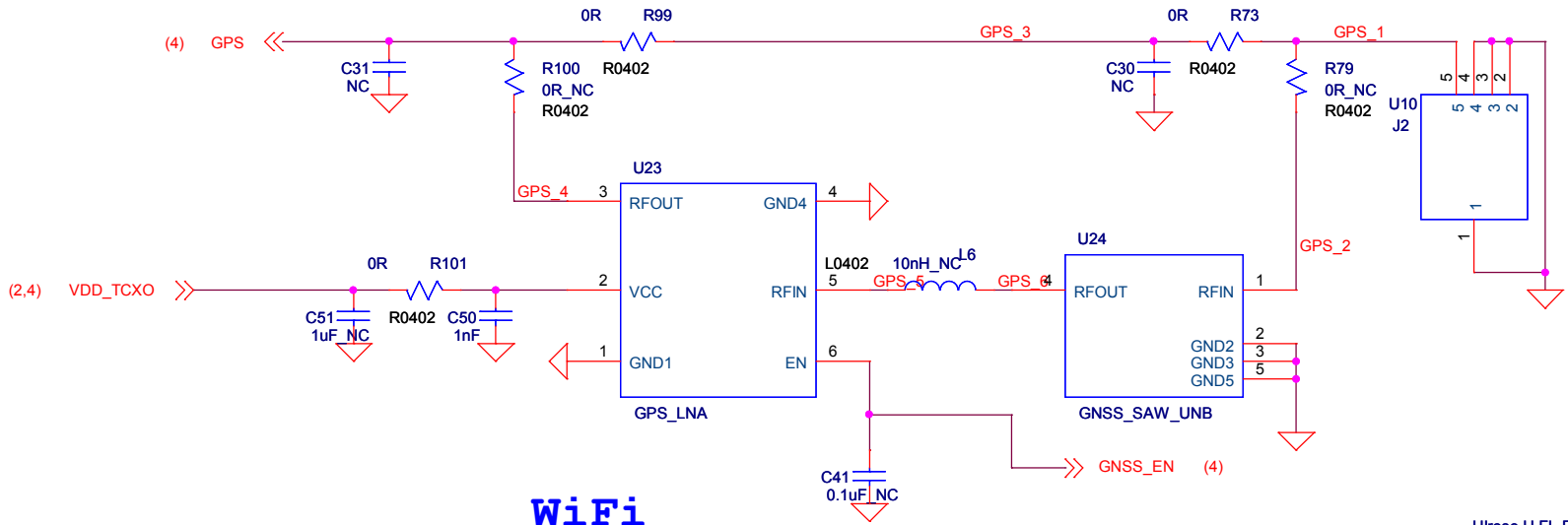
UART 2



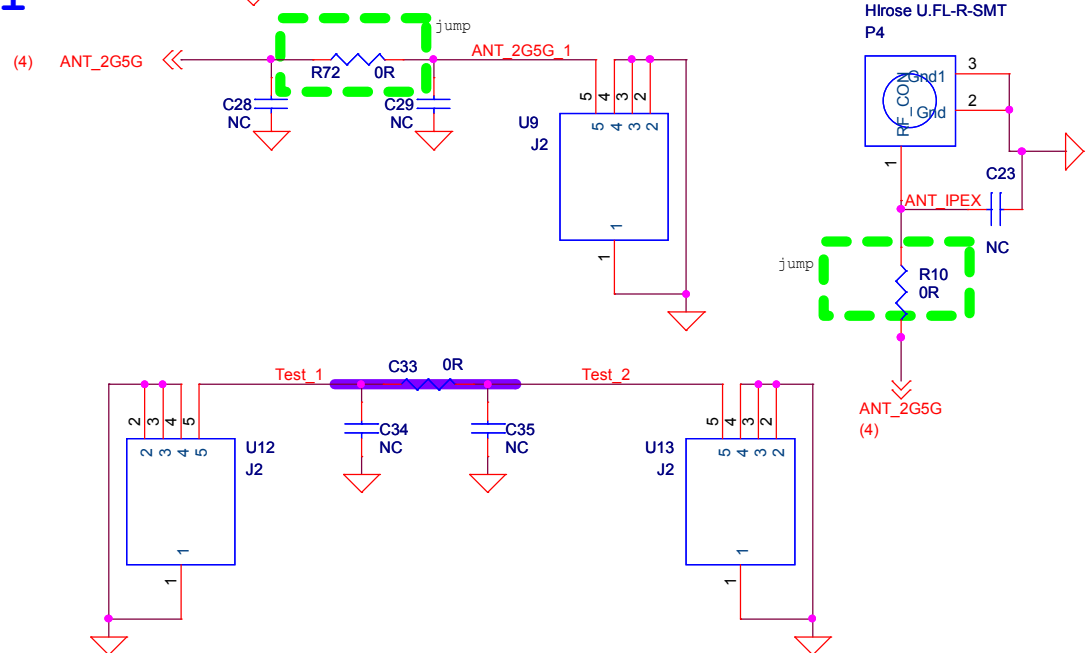
Blue cable connector

 AzureWave Technologies, Inc.		
Title Host Interface		
Size A3	Document Number AW-CM3888M EVB	Rev 11
Date: Friday, October 18, 2019	Sheet 1 of 5	

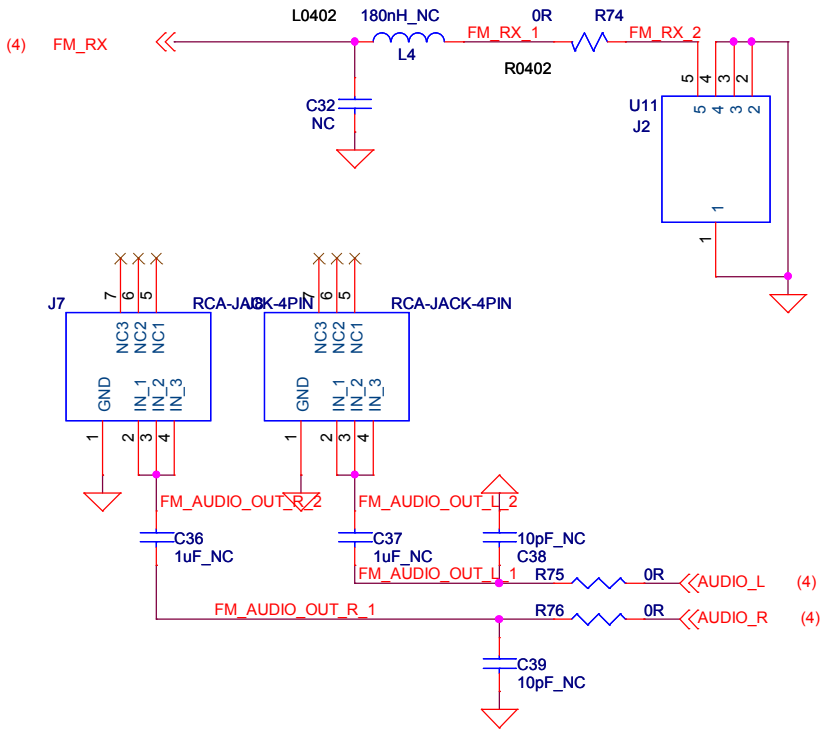
GPS




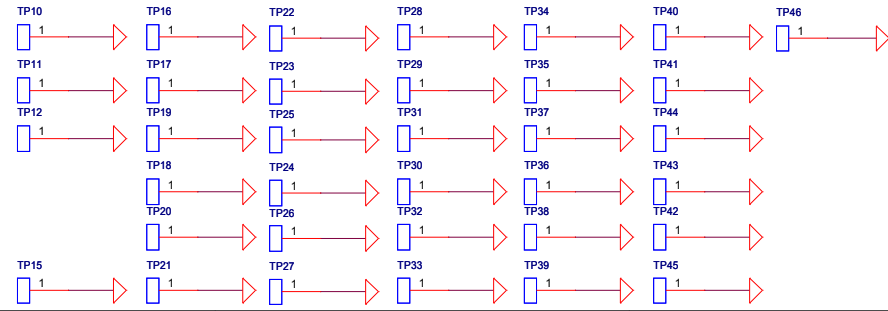
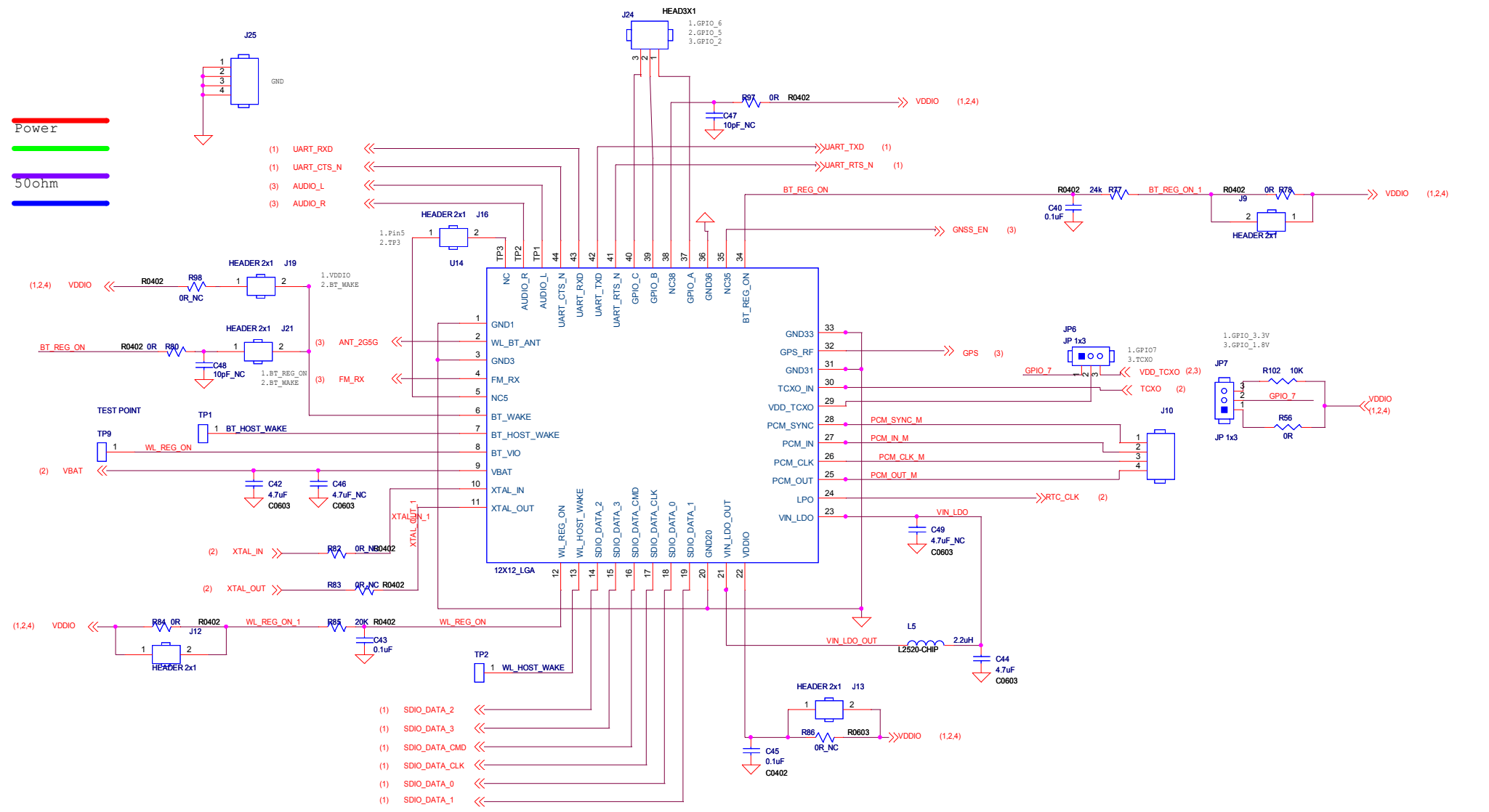
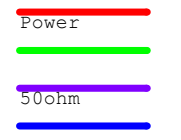
WiFi



FM



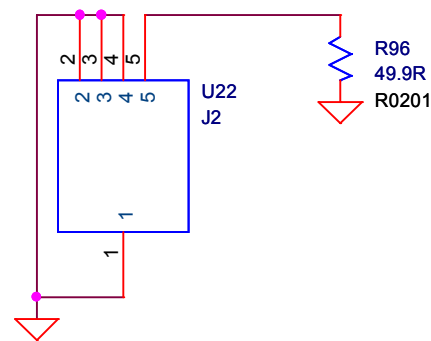
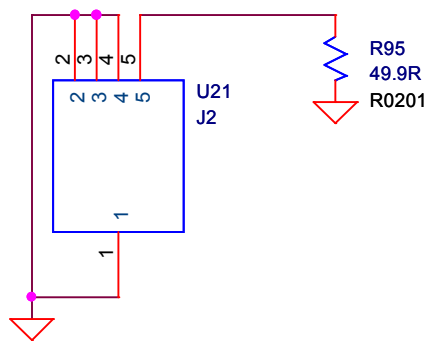
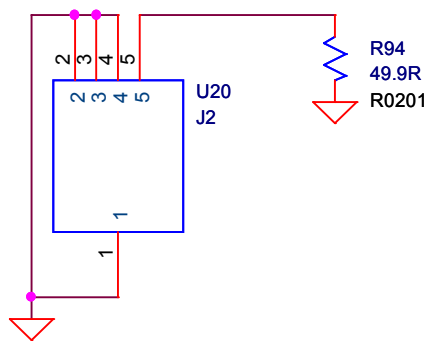
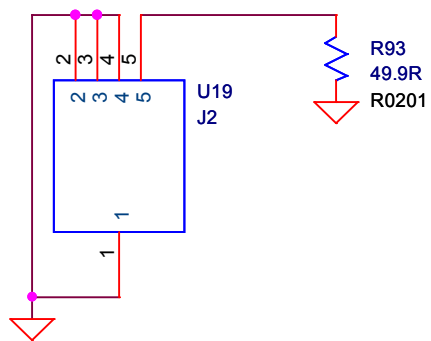
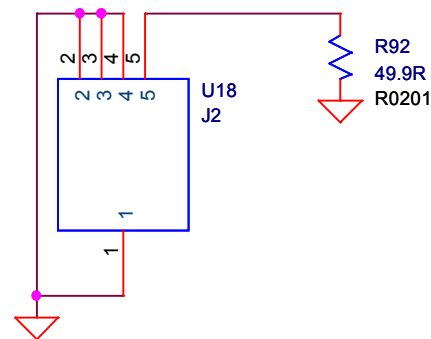
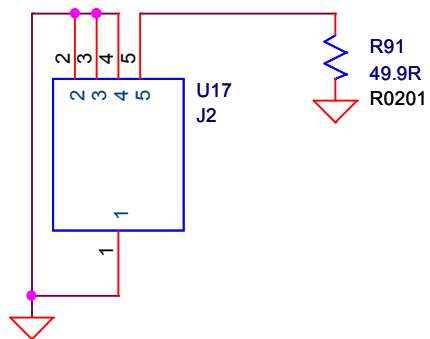
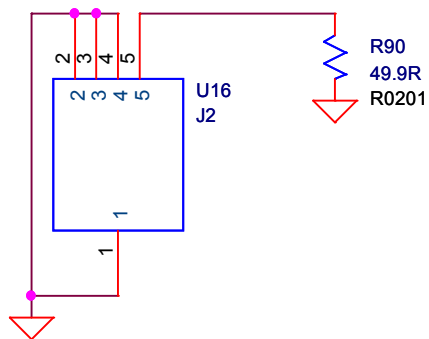
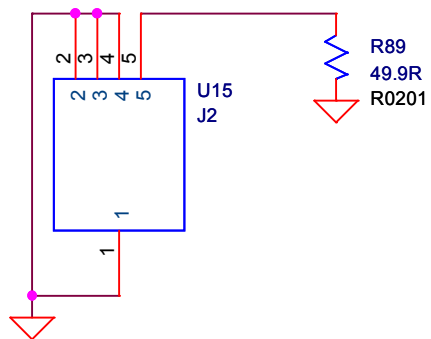
 AzureWave AzureWave Technologies, Inc.		
Size: A4	Document Number: AW-CM358SM EVB	Rev: I1
Date: Friday, October 18, 2019	Sheet: 3	of 5




AzureWave
AzureWave Technologies, Inc.

Title: **2256SM Module Interface**

Size: A3	Document Number: AW-CM356SM EVB	Rev: 11
Date: Friday, October 18, 2019	Sheet: 4	of 5



 AzureWave Technologies, Inc.		
Title RF Connector		
Size A	Document Number AW-CM358SM EVB	Rev I1
Date: Friday, October 18, 2019		Sheet 5 of 5